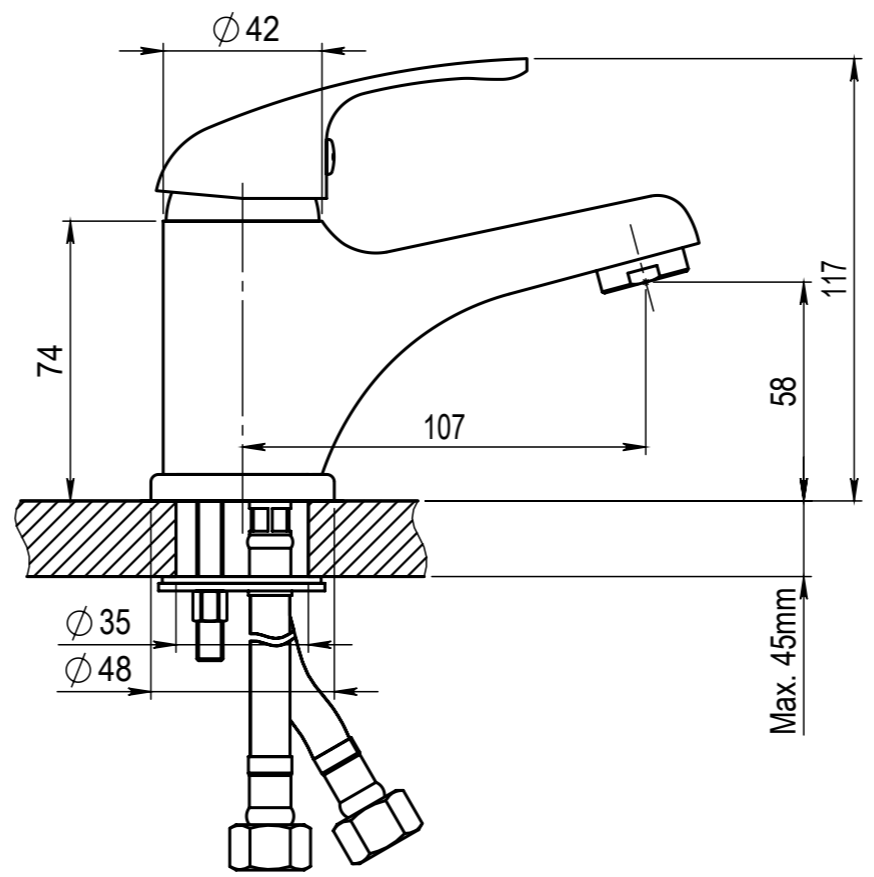


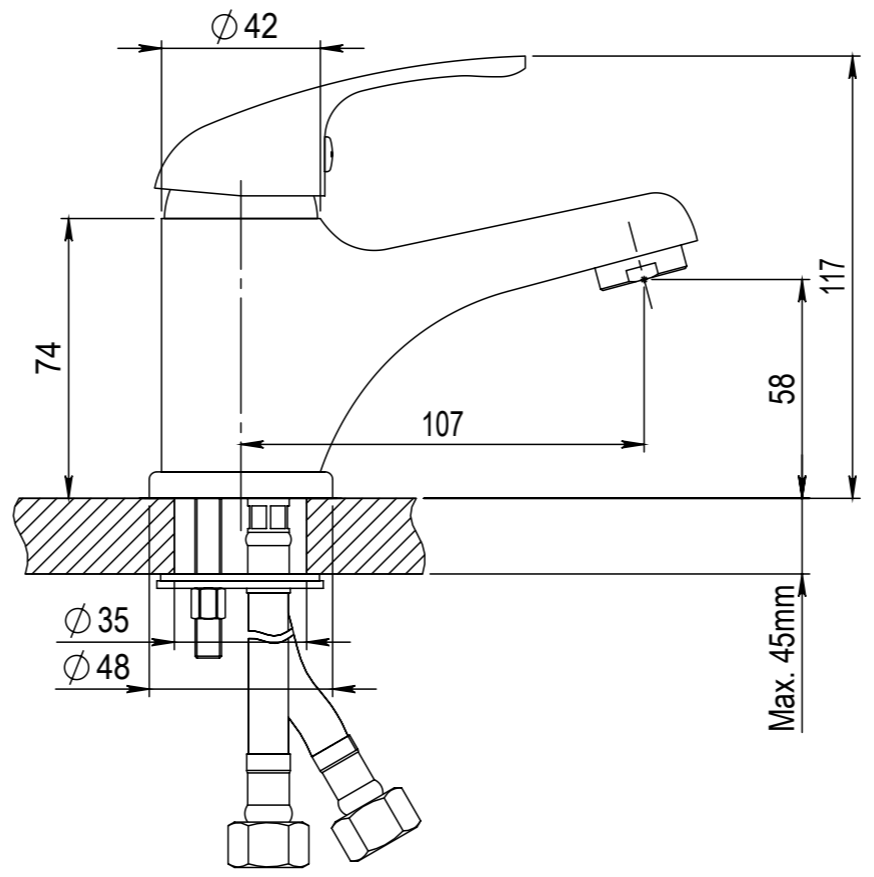
Číslo revize 00




| | |
|-------------|--------------------|
| Typ baterie | BATERIE STOJÁNKOVÁ |
| Rada | SLIM |
| Poznámka | ROZMĚROVÝ VÝKRES |

| | | |
|---|--|---------------|
|  JB SANITARY | | |
| | | Číslo baterie |
| | | A3 |

Revision no. 00



| | | | |
|-------------|---------------------|---|-----------|
| Faucet type | BASIN MIXER |  JB SANITARY | |
| Series | SLIM | | |
| Note | DIMENSIONAL DRAWING | Faucet code | A10 05 00 |
| | | | A3 |