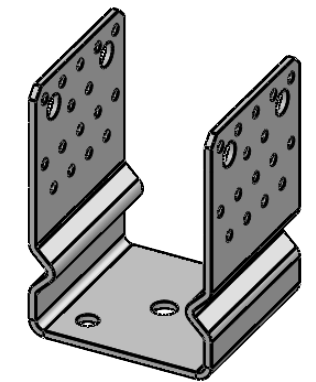
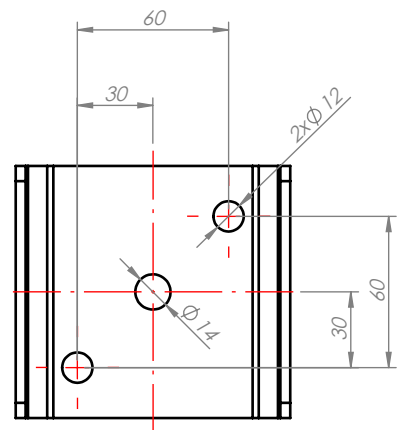
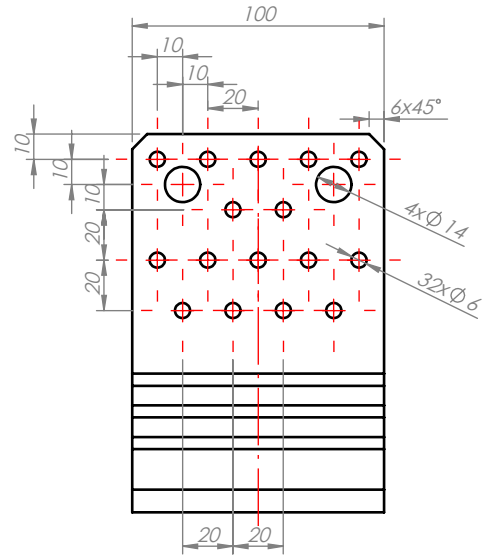
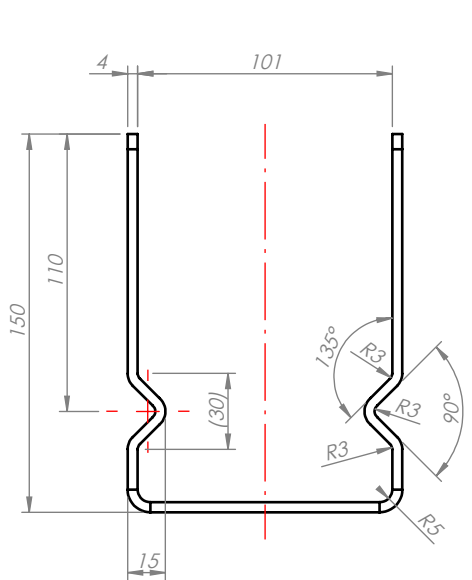


This document is the absolute property of DOMAX Sp. z o.o. This document must not be copied without the written permission of DOMAX Sp. z o.o. The contents thereof must not be disclosed to a third party nor be used for any unauthorized purpose. Contravention will be prosecuted.

Revision				
Rev.	Explanation	Date	Revised by	Approved by



- Note:**  
 1. General tolerances EN 22768 mK.  
 2. Hot dip galvanized acc to EN ISO 1461.

Design	D. Kozłowski	Checked	-	Approved	-	Note	8.6 dm <sup>2</sup>
Drawn	D.Kozłowski	Format	A4	Scale	1:3	Material	S235
Index	480993	Date	20.03.2023	Plate		Weight	1.22 kg
		-		PSSOZ 100		Sheet	1 / 1
DOMAX Sp. z o.o.		-		-		Rev	0