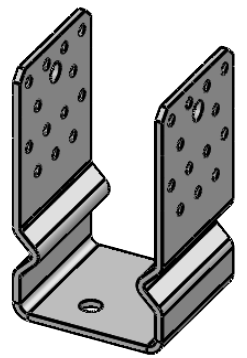
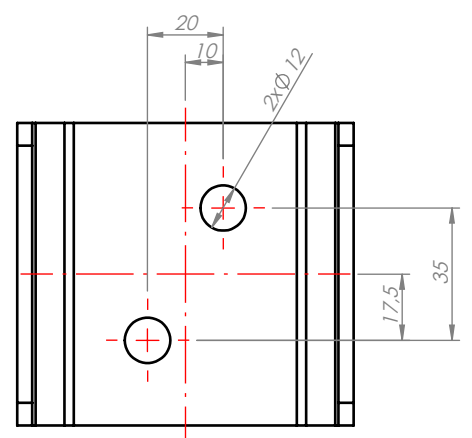
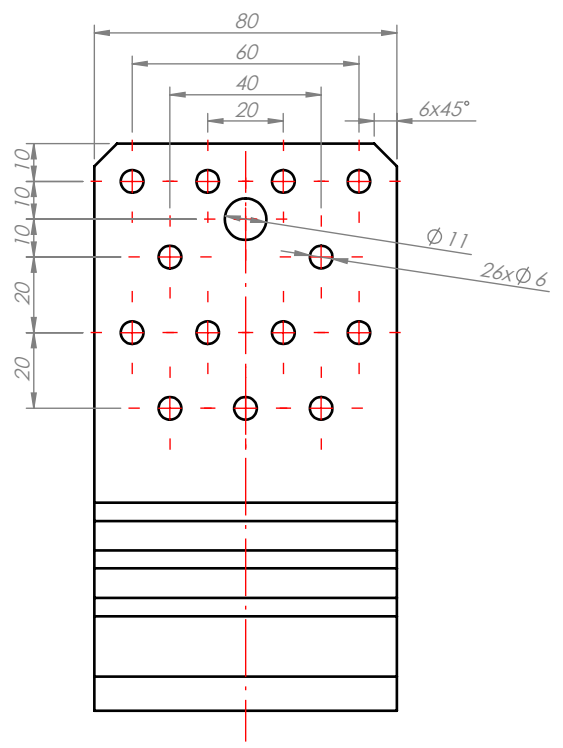
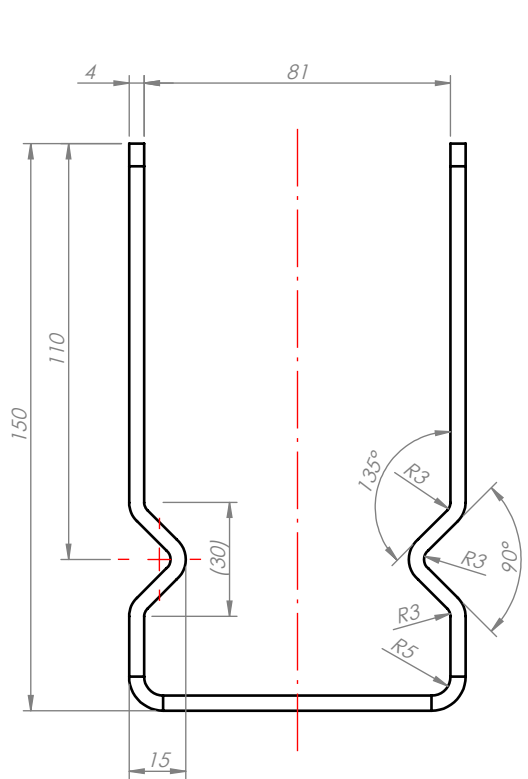


This document is the absolute property of DOMAX Sp. z o.o. This document must not be copied without the written permission of DOMAX Sp. z o.o. The contents thereof must not be disclosed to a third party nor be used for any unauthorized purpose. Contravention will be prosecuted.

Revision				
Rev.	Explanation	Date	Revised by	Approved by



- Note:**
- General tolerances EN 22768 mK.
 - Hot dip galvanized acc to EN ISO 1461.

Design	D. Kozłowski	Checked	-	Approved	-	Note	6.65 dm ²		
Drawn	D. Kozłowski	Format	A4	Scale	1:2	Material	S235		Weight
Index	480992	Date	20.03.2023	Plate				Sheet	1 / 1
				PSSOZ 80				Rev	0